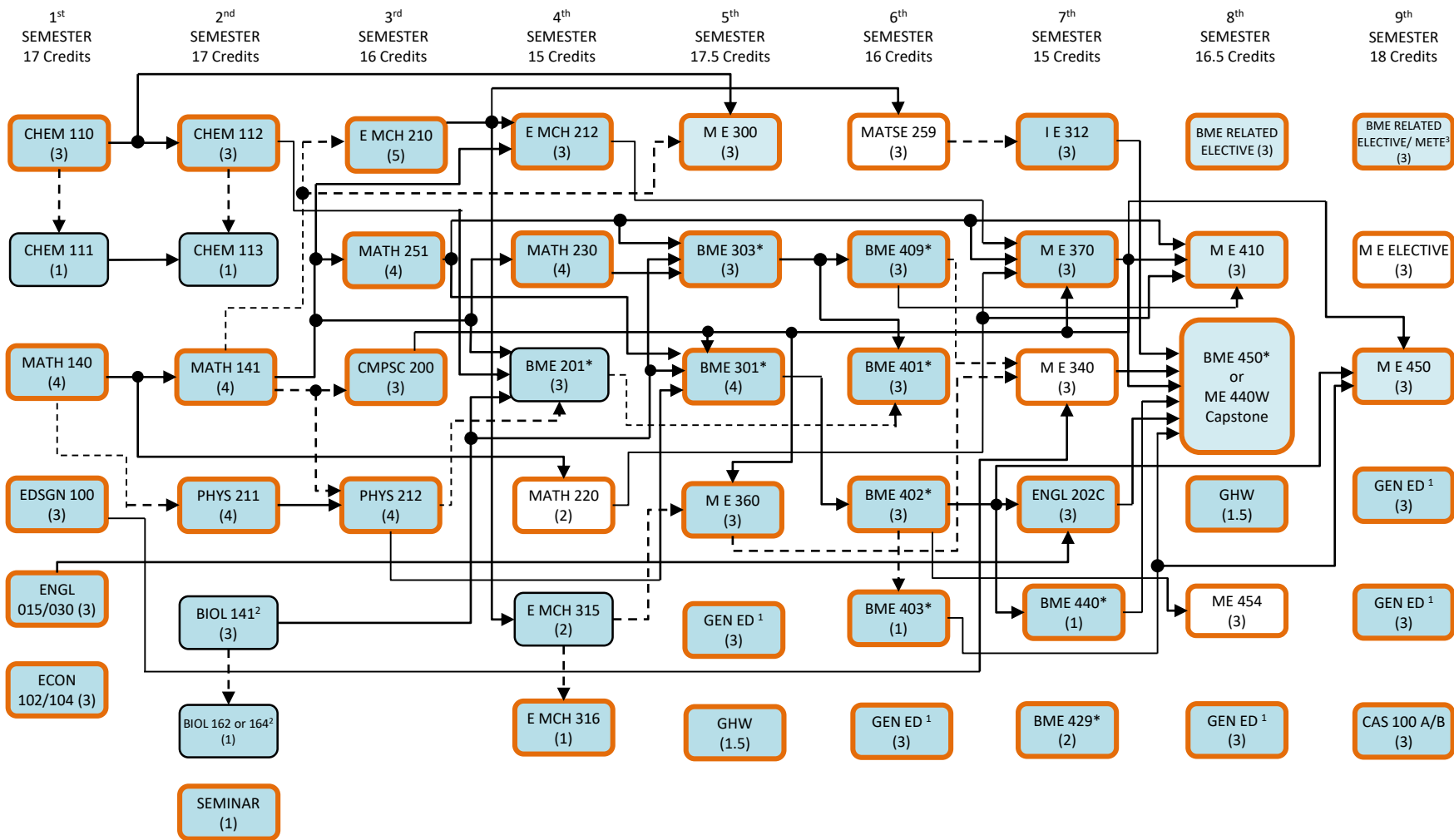


# CONCURRENT MAJOR IN BIOMEDICAL ENGINEERING & MECHANICAL ENGINEERING (9 SEMESTERS – 148 credits)



<sup>1</sup> US Cultures and IL Cultures and integrative studies requirements are satisfied in conjunction with gen ed courses.

<sup>2</sup> BIOL240W can be taken as an alternate option to BIOL 141 & 162 or 164

<sup>3</sup> 3 credits BME Related Elective also needs to meet ME-ETE requirements

\*BME courses are offered only in the semester shown:

Fall = Odd-numbered semesters, Spring = Even-numbered semesters

ME degree requirement

BME degree requirement

→ = Prerequisite      - - - - - → = Prerequisite or Concurrent